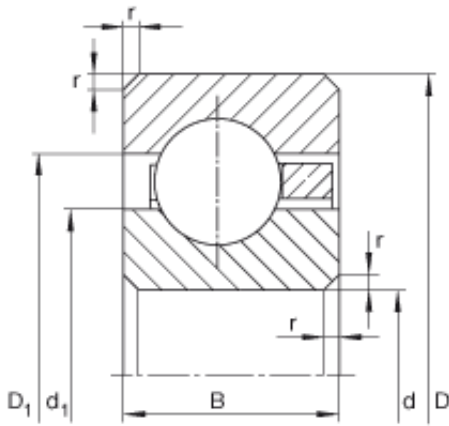




TRANSMISSIONS?BEARINGS EUROPE

INA CSCF140 deep groove ball bearings

Bearing No. CSCF140



CSCF140 Bearing 2D drawings and 3D CAD models

Size	355.6x393.7x19.05 mm
Bore Diameter	355,6 mm
Outer Diameter	393,7 mm
Width	19,05 mm
d	355,6 mm
d	14 inch
D	393,7 mm
B	19,05 mm
D ₁	379,6 mm
d ₁	369,7 mm
r _{min}	2 mm
m	2,72 kg / Weight
C _r	34500 N / Dynamic load rating (radial)
C _{0r}	67000 N / Static load rating (radial)