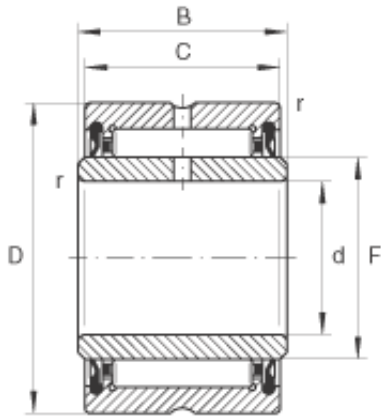




TRANSMISSIONS?BEARINGS EUROPE



INA NA4907-2RSR needle roller bearings

Bearing No. NA4907-2RSR

NA4907-2RSR Bearing 2D drawings and 3D CAD models

Size	35x55x21 mm
Bore Diameter	35 mm
Outer Diameter	55 mm
Width	21 mm
d	35 mm
D	55 mm
B	21 mm
C	20 mm
F	42 mm
r_{\min}	0,6 mm
m	175 g / Weight
C_r	29500 N / Dynamic load rating (radial)
C_{0r}	39500 N / Static load rating (radial)
C_{ur}	7200 N / Fatigue limit load, radial
$n_{G\text{Fett}}$	4800 1/min / Limiting speed for grease lubrication
Category	Needle Non Thrust Roller Bearings
Inventory	0.0
Manufacturer Name	SCHAEFFLER GROUP
Minimum Buy Quantity	N/A
Weight / Kilogram	0.18
Product Group	B04144
Rolling Element	Needle Roller Bearing
Component	Complete with Outer and



TRANSMISSIONS?BEARINGS EUROPE

	Inner Ring
Enclosure	2 Seals
Self Aligning	No
Retainer	Yes
Number of Rows of Rollers	Single Row
Separable	Inner Ring - Both Sides
Closed End	No
Inch - Metric	Metric
Relubricatable	Yes
Thrust Bearing	No
Long Description	35MM Bore; 55MM Outside Diameter; 21MM Width; Needle Roller Bearing; Complete with Outer and Inner Ring; 2 Seals; Not Self Aligning; Retainer; Single Row of Rollers; Inner Ring - Both Sides Separable;
Other Features	Plain Inner Ring 2 Rib Outer Ring Precision Steel Cage Ground Raceway with Rib Oil Hole
Category	Needle Non Thrust Roller Bearing
UNSPSC	31171512
Harmonized Tariff Code	8482.40.00.00
Noun	Bearing
Keyword String	Needle
Manufacturer URL	http://www.ina.com
Manufacturer Item Number	NA49072RS
Weight / LBS	0.386
Outside Diameter	2.165 Inch 55 Millimeter
Width	0.827 Inch 21 Millimeter
Bore	1.378 Inch 35 Millimeter