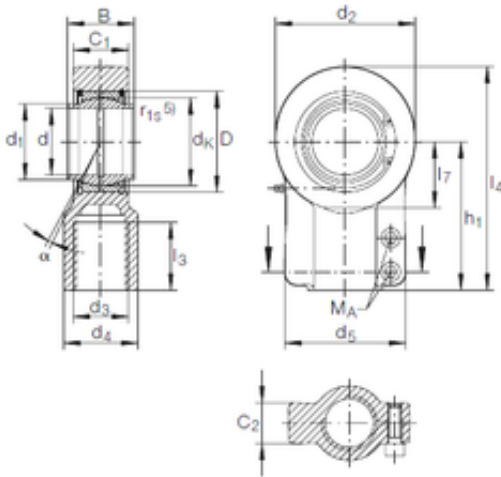




TRANSMISSIONS?BEARINGS EUROPE



GIHN-K 200 LO Bearing 2D drawings and 3D CAD models

INA GIHN-K 200 LO plain bearings

Bearing No. GIHN-K 200 LO

Size	200x290x200 mm
Bore Diameter	200 mm
Outer Diameter	290 mm
Width	200 mm
d	200 mm
D	290 mm
B	200 mm
Screw	M30X100
d1	221 mm
d2	418 mm
d4	215 mm
dk	250 mm
h1	390 mm
l3 min.	161 mm
l4 max.	620 mm
l7 min.	195 mm
C1	162 mm
Thread (G)	M160X4
Angle	4 °
d5	320 r/min
C2	102 mm
Weight	165 Kg
Basic dynamic load rating (C)	2120 kN