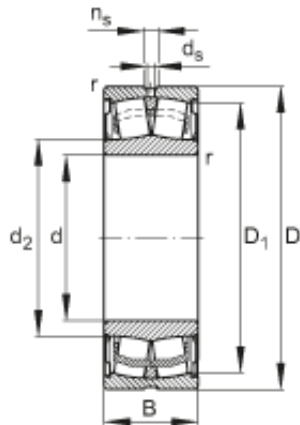




TRANSMISSIONS?BEARINGS EUROPE



FAG WS22216-E1-2RSR spherical roller bearings

Bearing No. WS22216-E1-2RSR

WS22216-E1-2RSR Bearing 2D drawings and 3D CAD models

Size	80x140x40 mm
Bore Diameter	80 mm
Outer Diameter	140 mm
Width	40 mm
d	80 mm
D	140 mm
B	40 mm
D ₁	128,6 mm
D _{a max}	129 mm
d ₂	91,3 mm
d _{a min}	91 mm
d _s	3,2 mm
n _s	6,5 mm
r _{a max}	2 mm
r _{min}	2 mm
m	2,7 kg / Weight
C _r	250000 N / Dynamic load rating (radial)
e	0,22
Y ₁	3,14
Y ₂	4,67
C _{0r}	270000 N / Static load rating (radial)
Y ₀	3,07



TRANSMISSIONS?BEARINGS EUROPE

n_G	1550 1/min / Limiting speed
C_{ur}	33500 N