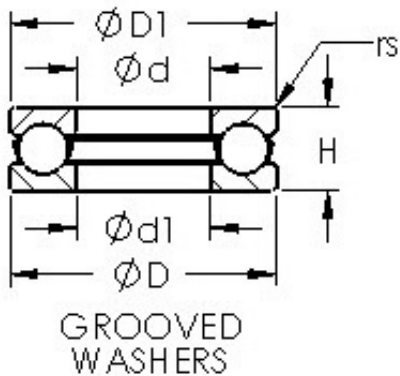




TRANSMISSIONS?BEARINGS EUROPE



AST 51225 thrust ball bearings

Bearing No. 51225

| | |
|-------------------------------|------------------------------------|
| Bore Diameter | 130 mm |
| Outer Diameter | 190 mm |
| Bearing Type | with grooved raceway(s) |
| Bore Dia (d) | 130.0000 |
| Outer Dia (D) | 190.0000 |
| Radius (min) (rs) | 1.500 |
| Static Load Rating (Cor) | 653,000 |
| Dynamic Load Rating (Cr) | 220,000 |
| Max Speed (Grease) (X000 RPM) | 1 |
| Max Speed (Oil) (X000 RPM) | 1 |
| Height (H) | 45.0000 |
| Outer Dia. Pilot (D1) | 187.0000 |
| Bore Dia. Clearance (d1) | 133.0000 |
| Weight (g) | 4,133.00 |
| Material | 52100 chrome steel, or equivalent. |

51225 Bearing 2D drawings and 3D CAD models