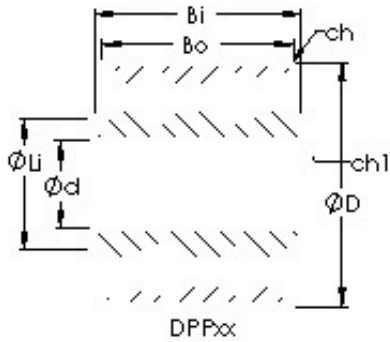




TRANSMISSIONS? BEARINGS EUROPE



DPP5 Bearing 2D drawings and 3D CAD models

AST DPP5 deep groove ball bearings

Bearing No. DPP5

| | |
|---|----------------------------------|
| Bore Diameter | 7,9375 mm |
| Outer Diameter | 31,75 mm |
| Bearing Type | DPPxx |
| Bore Dia (d) | 0.3125 |
| Outer Dia (D) | 1.2500 |
| Outer Width (Bo) | 0.6870 |
| Inner Width (Bi) | 0.7450 |
| Dynamic Load Rating (Cr) | 6,250 |
| Static Load Rating (Cor) | 11,000 |
| Max. Shaft Shoulder Dia. Inner (Li) | 0.5 |
| Ball Qty | 22 |
| Ball Dia (Dw) | 0.2340 |
| Max. shaft corner radius, or 45 deg. chamfer (ch1) | 0.015 |
| Max. housing corner radius, or 45 deg. chamfer (ch) | 0.032 |
| Material | 52100 Chrome steel or equivalent |